

# GN 237.3-L-NI | Heavy duty hinges

Horizontally elongated, stainless steel



- 1
- 2
- 3
- 4
- 5
- 6
- 7
- 8
- 9
- 10
- 11
- 12
- 13
- 14
- 15
- 16
- 17
- 18
- 19

## VERSIONS

- Type **A**: with bores for countersunk screws
- Type **B**: with bores for countersunk screws and centering attachments

## HINGE LEAFS

- Stainless steel **NI**
- Martensite (C1)
- Matte shot-blasted finish **GS**
- Epoxy resin coating
- Black, RAL 9005, textured finish **SW**

## HINGE PIN

- Stainless steel AISI 440B
- Case hardened
- With special grease lubricated

## SHIM WASHERS

- Stainless steel AISI 301
- With special grease lubricated

## INFORMATION

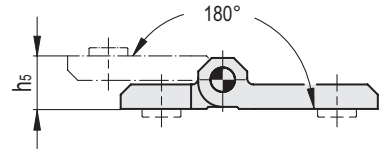
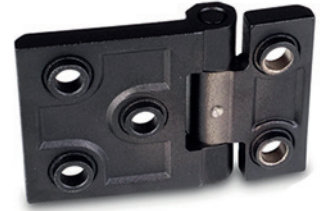
Horizontally elongated heavy duty hinges GN 237.3-L-NI are designed for use under tough conditions. Attachment points with a wider spacing and more installation holes allow a more effective introduction of force into the mounting surface. The hinge pins are integral and allow the hinges to be used in environments with strong vibrations and shocks.

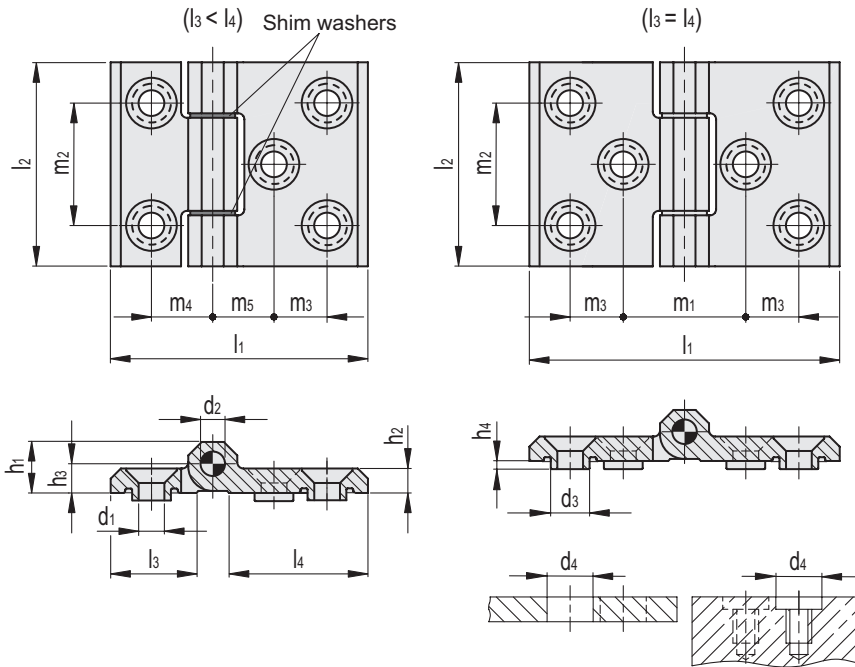
The heavy-duty hinges (Version A4) can also be used in particularly aggressive environments thanks to the materials used. Wear is minimized by the effective friction pairing of the hinge components and lubrication.

The type B hinge has centering attachments that prevent lateral slippage under high loads and protect the mounting screws from impermissible transverse force.

## ACCESSORIES

- PCM-SP: Spacer plates.
- PCM-TH: Plates.
- PCM-LS: Rubber Bumper Stops.





GN 237.3-L-NI-B-GS

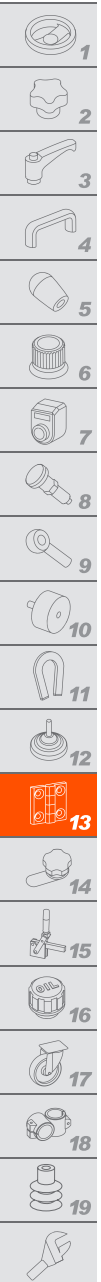


Code	Description	l1	l2	d1	d2	d3	d4 +0.5	h1	h2	h3	h4	h5	l3	l4	m1	m2	m3	m4	m5	△
GN.74571	GN 237.3-NI-63-50-B-GS	63	50	6.3	6	9.5	10	12.5	6	6.5	2	13	21	34	-	30	13	15	15	143
GN.74579	GN 237.3-NI-76-50-B-GS	76	50	6.3	6	9.5	10	12.5	6	6.5	2	13	34	34	30	30	13	-	-	169
GN.74595	GN 237.3-NI-90-60-B-GS	90	60	8.3	8	12.5	13	16	8	8.5	3	17	25.5	56	-	36	22.5	18	22.5	320
GN.74603	GN 237.3-NI-120-60-B-GS	120	60	8.3	8	12.5	13	16	8	8.5	3	17	56	56	45	36	22.5	-	-	423
GN.74611	GN 237.3-NI-120-80-B-GS	120	80	10.3	10	14.5	15	20	10	10.5	4	21	36	75	-	50	30	25	30	712
GN.74619	GN 237.3-NI-160-80-B-GS	160	80	10.3	10	14.5	15	20	10	10.5	4	21	75	75	60	50	30	-	-	910

GN 237.3-L-NI-B-SW

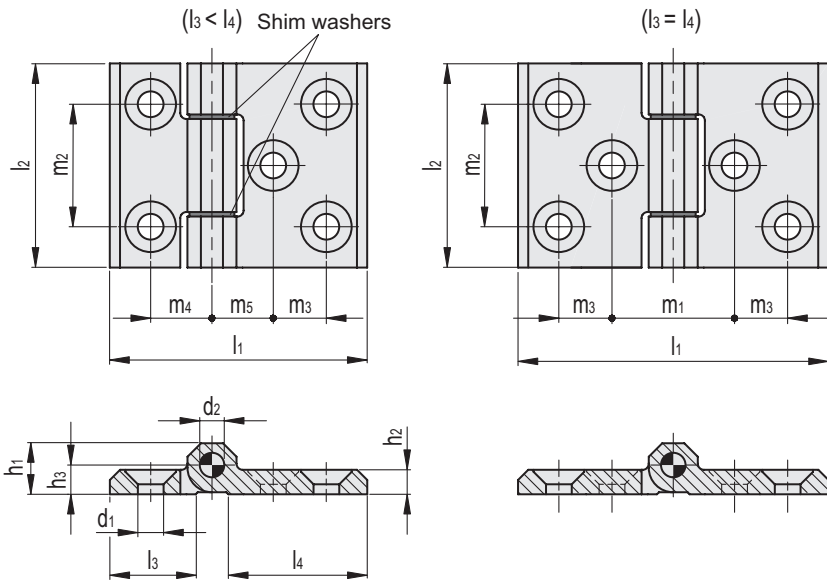
Code	Description	l1	l2	d1	d2	d3	d4 +0.5	h1	h2	h3	h4	h5	l3	l4	m1	m2	m3	m4	m5	△
GN.74573	GN 237.3-NI-63-50-B-SW	63	50	6.3	6	9.5	10	12.5	6	6.5	2	13	21	34	-	30	13	15	15	143
GN.74581	GN 237.3-NI-76-50-B-SW	76	50	6.3	6	9.5	10	12.5	6	6.5	2	13	34	34	30	30	13	-	-	169
GN.74597	GN 237.3-NI-90-60-B-SW	90	60	8.3	8	12.5	13	16	8	8.5	3	17	25.5	56	-	36	22.5	18	22.5	320
GN.74605	GN 237.3-NI-120-60-B-SW	120	60	8.3	8	12.5	13	16	8	8.5	3	17	56	56	45	36	22.5	-	-	423
GN.74613	GN 237.3-NI-120-80-B-SW	120	80	10.3	10	14.5	15	20	10	10.5	4	21	36	75	-	50	30	25	30	712
GN.74621	GN 237.3-NI-160-80-B-SW	160	80	10.3	10	14.5	15	20	10	10.5	4	21	75	75	60	50	30	-	-	910





Hinges and accessories

3



INOX STAINLESS STEEL

GN 237.3-L-NI-A-GS

Code	Description	l1	l2	d1	d2	h1	h2	h3	h5	l3	l4	m1	m2	m3	m4	m5	△
GN.74567	GN 237.3-NI-63-50-A-GS	63	50	6.3	6	12.5	6	6.5	13	21	34	-	30	13	15	15	140
GN.74575	GN 237.3-NI-76-50-A-GS	76	50	6.3	6	12.5	6	6.5	13	34	34	30	30	13	-	-	166
GN.74591	GN 237.3-NI-90-60-A-GS	90	60	8.3	8	16	8	8.5	17	25.5	56	-	36	22.5	18	22.5	316
GN.74599	GN 237.3-NI-120-60-A-GS	120	60	8.3	8	16	8	8.5	17	56	56	45	36	22.5	-	-	410
GN.74607	GN 237.3-NI-120-80-A-GS	120	80	10.3	10	20	10	10.5	21	36	75	-	50	30	25	30	701
GN.74615	GN 237.3-NI-160-80-A-GS	160	80	10.3	10	20	10	10.5	21	75	75	60	50	30	-	-	915

GN 237.3-L-NI-A-SW

Code	Description	l1	l2	d1	d2	h1	h2	h3	h5	l3	l4	m1	m2	m3	m4	m5	△
GN.74569	GN 237.3-NI-63-50-A-SW	63	50	6.3	6	12.5	6	6.5	13	21	34	-	30	13	15	15	140
GN.74577	GN 237.3-NI-76-50-A-SW	76	50	6.3	6	12.5	6	6.5	13	34	34	30	30	13	-	-	166
GN.74593	GN 237.3-NI-90-60-A-SW	90	60	8.3	8	16	8	8.5	17	25.5	56	-	36	22.5	18	22.5	316
GN.74601	GN 237.3-NI-120-60-A-SW	120	60	8.3	8	16	8	8.5	17	56	56	45	36	22.5	-	-	410
GN.74609	GN 237.3-NI-120-80-A-SW	120	80	10.3	10	20	10	10.5	21	36	75	-	50	30	25	30	701
GN.74617	GN 237.3-NI-160-80-A-SW	160	80	10.3	10	20	10	10.5	21	75	75	60	50	30	-	-	915